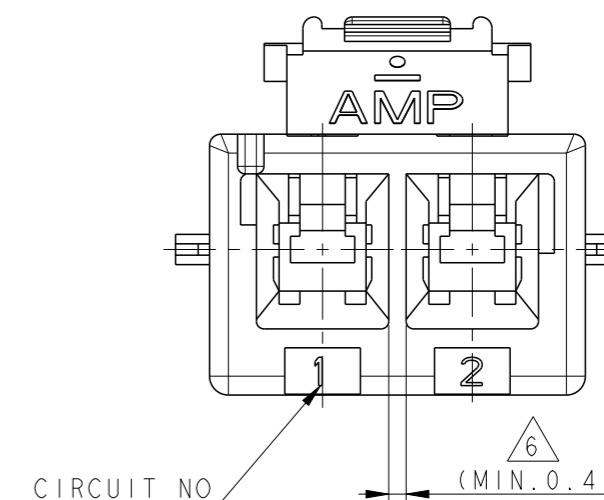
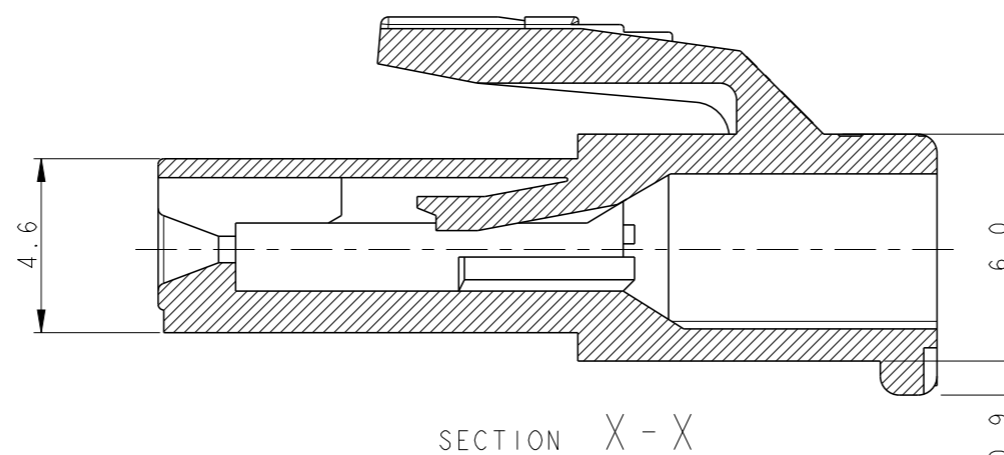
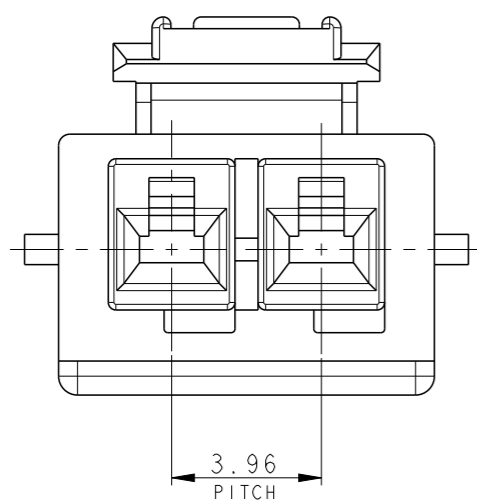
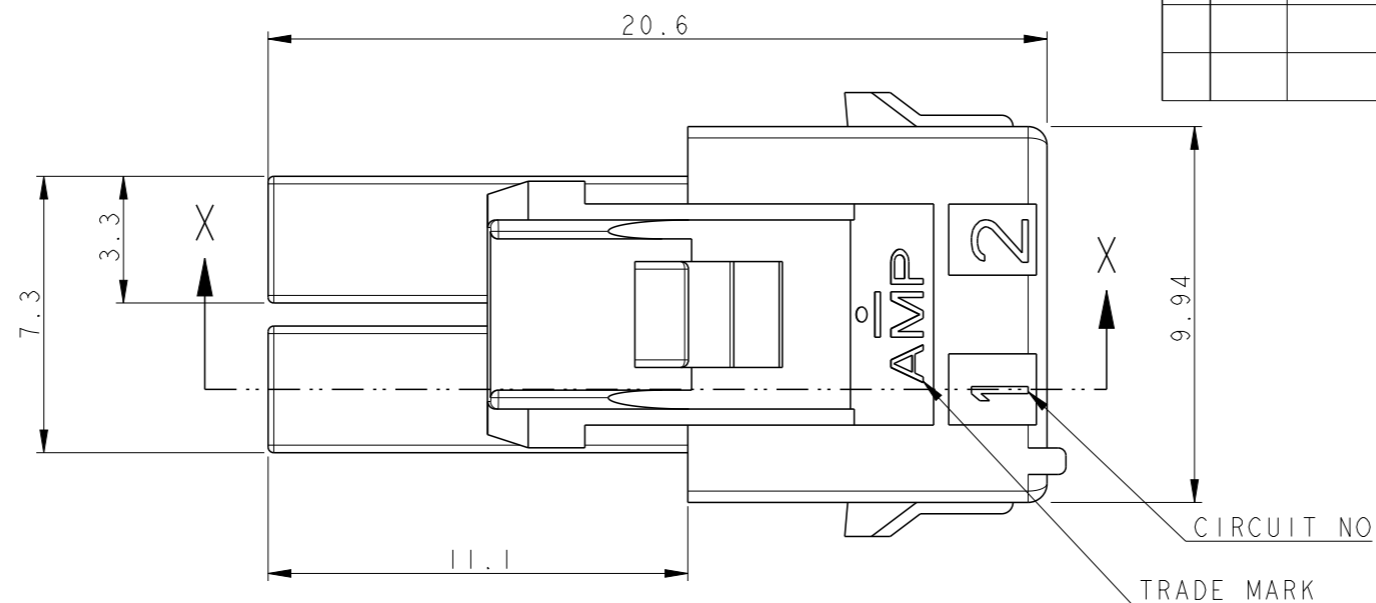


P	LTR	DESCRIPTION	DATE	DWN	APVD
	B	REVISED PER ECR-18-016962	29OCT2018	SC	BH



- NOTE;
1. APPLICABLE CONTACT P/N  
 - REC CONTACT: 177915-□ (AWG#16-#20)  
                   : 177914-□ (AWG#22-#26)
  2. MATING CONN. P/N  
 - CAP HSG: 2005248-□ (FREE HANGING)  
               2005249-□ (PANEL MOUNT)  
 - TAB CONTACT: 177917-□ (AWG#16-#20)  
                   177916-□ (AWG#22-#26)
  3. APPLICABLE DOUBLE LOCK PLATE:  
 177918-1(V-0) OR □ -368590-1(V-2,GWT)  
 \*IT SHOULD BE USED CERTAINLY WHEN CABLE ASS'Y
  4. GENERAL TOLERANCES: ±0.3
  5. MATERIAL: PA66, UL94V-0, GWIT 775°C, GWEPT 750°C, CTI 250V AND BALL PRESSURE 125°C
  6. MIN. THICKNESS OF INSULATING WALL

2005247-9	BLACK
2005247-6	BLUE
2005247-4	YELLOW
2005247-2	RED
2005247-1	NATURAL
P/N	COLOR

THIS DRAWING IS A CONTROLLED DOCUMENT.		DWN SC KIM		<b>TE Connectivity</b>	
DIMENSIONS: mm		CHK BW KANG			
TOLERANCES UNLESS OTHERWISE SPECIFIED:		APVD JK SONG			
0 PLC ± 1 PLC ± 2 PLC ± 3 PLC ± 4 PLC ± ANGLES ± FINISH -		PRODUCT SPEC 108-61106 APPLICATION SPEC - WEIGHT -			
MATERIAL		RESTRICTED CUSTOMER		NAME PDL 2P PLUG HSG 3.96mm (GWT)	
5		RESTRICTED TO		SIZE A3	
		SCALE 5:1		DRAWING NO C-2005247	
		SHEET 1 OF 1		REV B	